

CANEO

Original operating instructions



series41 touch Standard

Table of Contents

Foreword.....	3
Safety.....	3
General safety.....	3
Notes and symbols used.....	3
Personnel qualifications.....	4
Intended use.....	5
Reasonably foreseeable misuse.....	5
General description.....	6
Assembly.....	6
Recommended screw types.....	7
Maximum dimensions of the screws.....	8
Operation.....	8
Configuring CANEO series41 with IO-Link.....	8
Maintenance.....	8
Maintenance operations.....	8
Disassembly.....	9
Disposal.....	9
Technical specifications.....	9
Technical specifications.....	9
Connection options.....	10
Connection plan.....	11
Drilling pattern.....	13
Dimensional drawing.....	14
Dimensional drawing.....	15
Manual updates.....	16
Imprint.....	16

Foreword

These operating instructions are intended for technicians/installers and operators and should be kept for future reference. Read these operating instructions carefully and make sure that you have fully understood the contents before installing or working with the SENSORswitches.

TIP

Metric and imperial measurements are used in drawings.
Imperial measurements are marked with [].

Safety

General safety

All work on electrical systems or operating equipment may only be carried out by a specially qualified electrician according to the applicable electrotechnical regulations.

The safety of the system in which the SENSORswitch is integrated is the responsibility of the operator.

Notes and symbols used

Warning notes in relation to personal injury / material damage are formulated according to the "SAFE" principle. This means they contain information on the type and source of the hazard, potential consequences as well as how to avoid and avert danger. The following hazard classifications apply in the safety notes:



DANGER

Danger designates a hazardous situation, which, if ignored, will lead to death or serious injury. The symbol next to the warning indicates the type and source of the danger.



WARNING

Warning designates a hazardous situation, which, if ignored, may lead to death or serious injury. The symbol next to the warning indicates the type and source of the danger.



CAUTION

Caution designates a hazardous situation, which, if ignored, may lead to injury. The symbol next to the warning indicates the type and source of the danger.

NOTICE

Notice designates a situation, which may cause material damages and impair the product's function if attention is not paid.

TIP

Tip provides additional useful information about the handling of the product.

Symbol	Meaning
▶	Avoiding and adverting danger in the warning note
▶	Instructions for action All instructions to be followed within a procedure are always listed in chronological order.
▪	List

Personnel qualifications

A qualified electrician is a person with suitable technical training, expertise and experience as well as knowledge of relevant

standards, who can evaluate the work assigned to them correspondingly and recognize potential risks.



WARNING



Improper work on electrical systems!

Electric shock can result in death or life-threatening injuries.

- ▶ Before working on electrical systems, disconnect them from their voltage supply and secure them against being switched on again.
- ▶ Work on electrical installations should be carried out only by qualified personnel in compliance with local and national electrical regulations and specifications.

Intended use

series41 is suitable for a variety of applications. Different operating states can be displayed with the LED outer ring. The optional four-digit seven-segment display can show numbers from 1 - 9999 and, to a limited extent, combinations of letters. series41 is intended for use in accordance with the items listed here, the values from the "Technical specifications" chapter and the values from the product description.

- Only connect the product to a limited energy source as per IEC 61010 or to an NEC class 2 power supply unit.
- Source current < 4 A at maximum operating voltage.

Reasonably foreseeable misuse

Any use other than as specified in the section [Intended use](#) or extending beyond this is deemed to be improper.

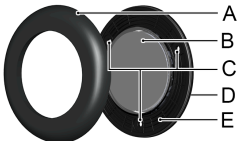
The SENSORswitch is not suitable for:

- use in potentially explosive atmospheres.
- use as a safety component as per directive 2006/42/EC

General description

The supplied SENSORswitch can have options that differ from those shown in this manual. This does not affect the function. The SENSORswitch is equipped with different color LEDs to indicate operating conditions. The LEDs are actuated differently depending on the pin configuration.

A	Colored cover ring
B	Sensor element with symbol or four-digit seven-segment display
C	Drill holes for fastening. see Chapter , "Recommended screw types"
D	Connection on the back
E	Mounting flange with sensor element



Assembly



WARNING

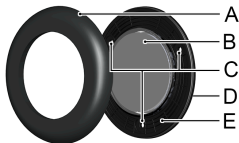
Improper work on electrical systems!

Electric shock can result in death or life-threatening injuries.

- ▶ Before working on electrical systems, disconnect them from their voltage supply and secure them against being switched on again.
- ▶ Work on electrical installations should be carried out only by qualified personnel in compliance with local and national electrical regulations and specifications.



Requirements: Mounting surface is level and clean (maximum unevenness of the mounting flange 0.1 mm).



- ▶ Disconnect the system from its voltage supply and secure it against being switched on again.
- ▶ Set the desired position of the SENSORswitch and drill a hole with a diameter of 25 mm .
- ▶ Position mounting flange (B), lining up the center and vertical axis, and mark the holes (C).

Select and drill the diameter of the holes according to the recommended screw type [see "Recommended screw types", page 7](#).

- ▶ Select the diameter to match the mounting surface and screw type.
- ▶ Align mounting flange with sensor element (B) and tighten with screw.
- ▶ Place colored cover ring (A) with groove downward and press close to the button surface.
- ▶ Connect SENSORswitch with M12 connection (E).

NOTICE

Mineral grease and oils can attack the plastic of the button!

- ▶ Do not use grease or oils to apply the cover ring (A).

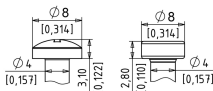
Recommended screw types

- DIN EN ISO 1207 M4
- DIN EN ISO 7045 M4

- DIN EN ISO 1481 Ø3.9 mm
- DIN EN ISO 7049 Ø3.9 mm

Maximum dimensions of the screws

The drawing shows the maximum dimensions of the screws.



Operation

series41 is operated by touching the button surface.

Configuring CANEO series41 with IO-Link

TIP

For information on configuring the SENSORswitch, see our website [series4x](#) or scan the QR code.



Maintenance

Maintenance operations

Carry out the following maintenance operations at the specified intervals.

Maintenance operation	as needed	annually
Clean the button surface	X	
Check cables for intactness and firm fit		X
Check screw connections for tightness		X

NOTICE

Solvents contained in cleaning agents can attack the plastic of the button!

- ▶ Clean the surface of the button with a neutral cleaning agent or a damp microfiber cloth.

Disassembly


- ▶ Disconnect the system from its voltage supply and secure it against being switched on again.
- ▶ Insert the flat head screwdriver into the groove on the cover ring (A) and remove the cover ring with the screwdriver via lever action.
- ▶ Loosen the screw connections and disconnect the electrical connection.

Disposal

Different types of electrical and electronic components must be recycled according to their type. All applicable statutory, state and local laws and regulations must be complied with.

Technical specifications

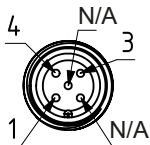
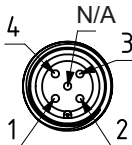
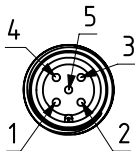
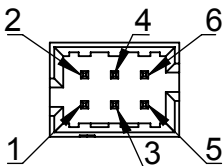
Technical specifications

series4x	
Operating voltage	 DC 12 - 24 V (8.4 to 31.2 V)
Load current	max. 200 mA
Reverse polarity protection	Protection of all cables/lines
Short circuit protection	Protected against short circuit and overload
Voltage drop	Max. 2.5 V at 200 mA load current
Power consumption at 24 V	Max. 90 mA
Operating temperature	-25°C (-13°F) to 50°C (122°F)
Degree of protection IP	Front IP69K Maximum unevenness in mounting surface < 0.2 mm
Degree of protection IK	IK08
Communication interface	IO-Link specification V1.1

series4x

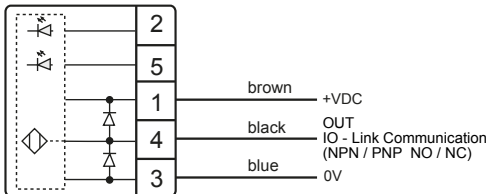
Measuring principle	Capacitive
Type of actuation	Touch
Actuation force	No actuation force required
max. altitude	3000 m above standard zero
Relative air humidity	Max. 95%, non-condensing

Connection options

Plug M12, 3-pin**Plug M12, 4-pin****Plug M12, 5-pin****Plug, 6-pin**

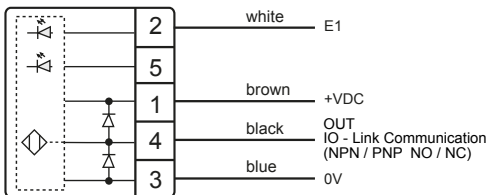
Connection plan

3-pin



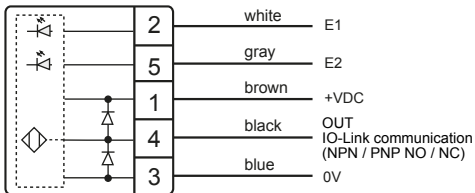
The product description will indicate the configuration.

4-pin



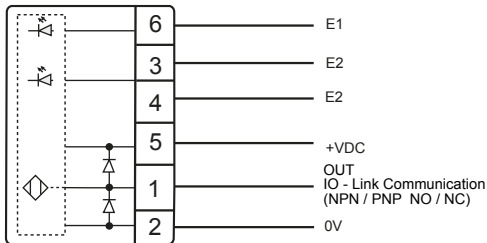
The product description will indicate the configuration.

5-pin



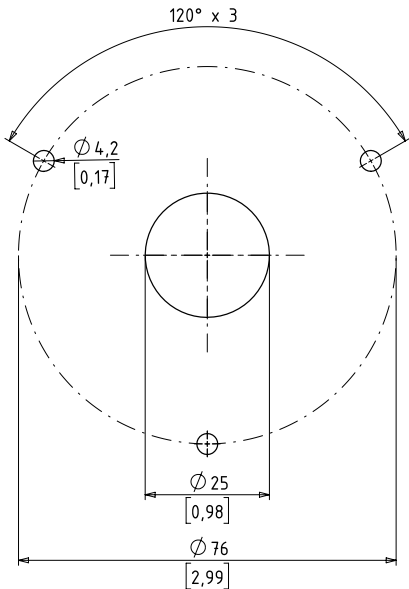
The product description will indicate the configuration.

6-pin



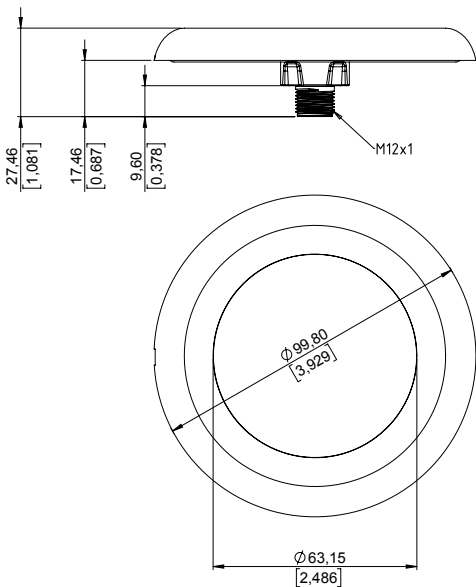
The product description will indicate the configuration.

Drilling pattern



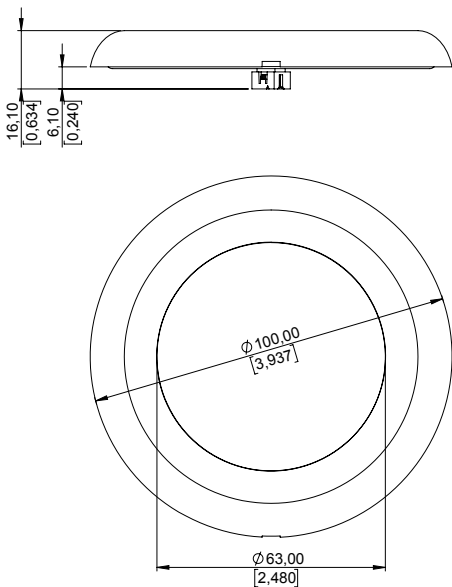
Metric and imperial measurements are used in drawings. Imperial measurements are marked with [].

Dimensional drawing



Metric and imperial measurements are used in drawings. Imperial measurements are marked with [].

Dimensional drawing



Metric and imperial measurements are used in drawings. Imperial measurements are marked with [].

Manual updates

CAPTRON reserves the right to make changes to the contents of this manual as needed. The most current version can be found on our website www.captron.com .

Imprint

The operating instructions have been authored and published by
CAPTRON Electronic GmbH

Johann-G.-Gutenberg-Straße 7

82140 Olching – Germany

Tel.: +49 (0) 8142 44 88 – 160

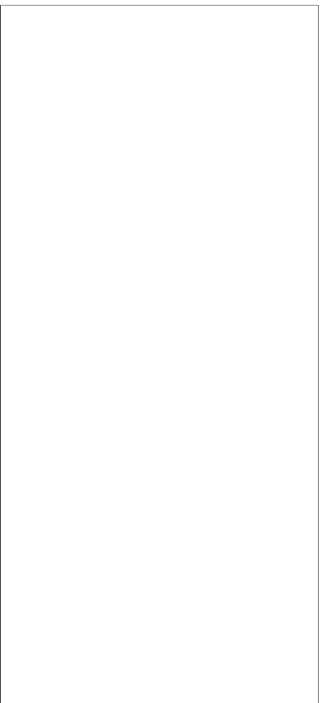
sales@captron.com

www.captron.com

Copyright 2021

CANEO series41 Display_Standard 1.2

Artikelbeschreibung / Product description

A large, empty rectangular box with a thin black border, intended for entering the product description. It occupies the lower two-thirds of the page.